



## Modular Block Technology

**Infinity Turbine  
LLC**

[ TEL ] +1-608-238-6001 (Chicago)

[ Email ] greg@infinityturbine.com

<https://www.infinityturbine.com/modular-blocks-heat-pump-and-orc-turboshaft-for-process-cooling-and-hydraulic-power-by-cavgenix-infinity-turbine.html>

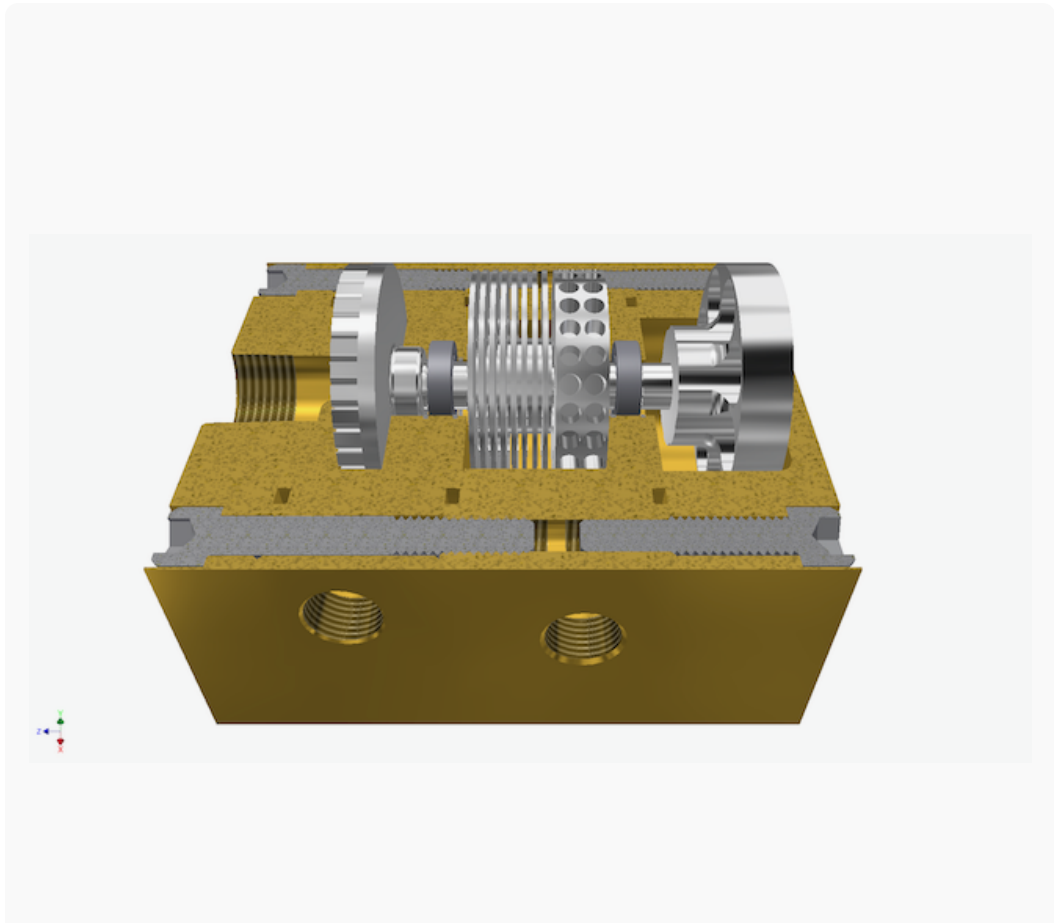
Patented modular block technology used with the heat pump turbine.



This webpage QR code

**PDF Version of the webpage (maximum 10 pages)**

---

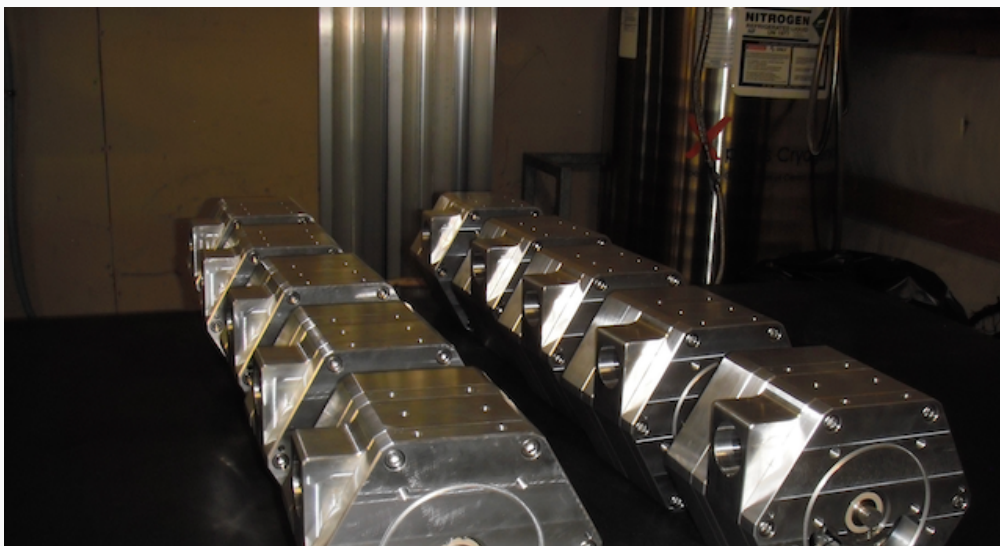


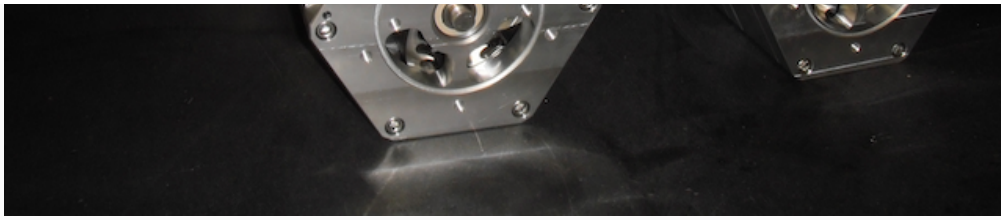




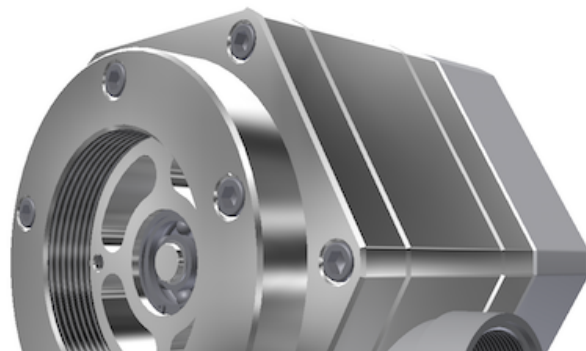


Copyright 6/30/202 Infinity Turbine LLC



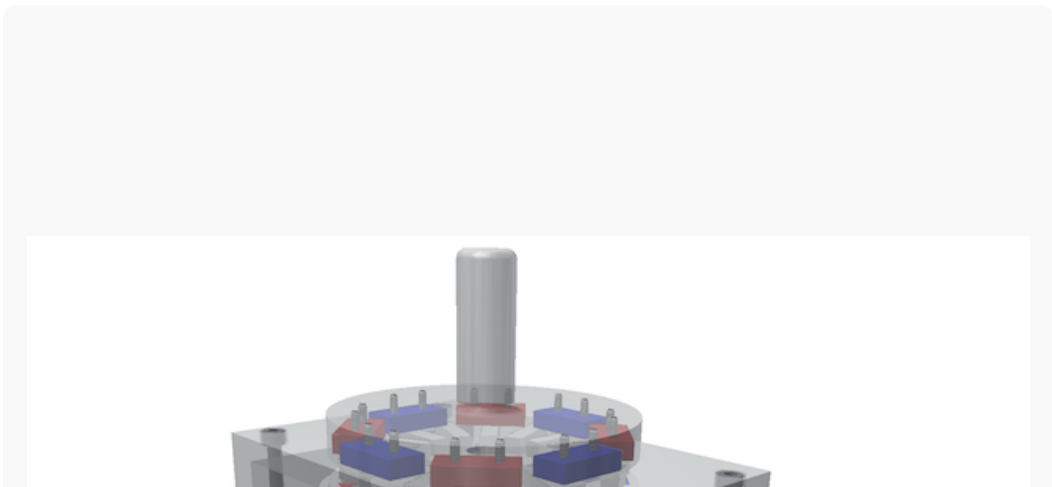


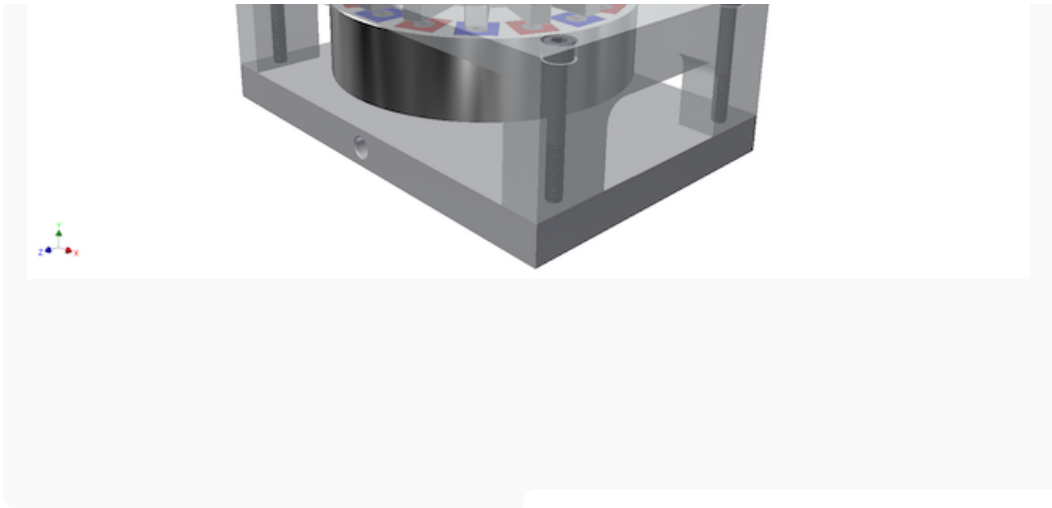
Copyright 6/30/202 Infinity Turbine LLC



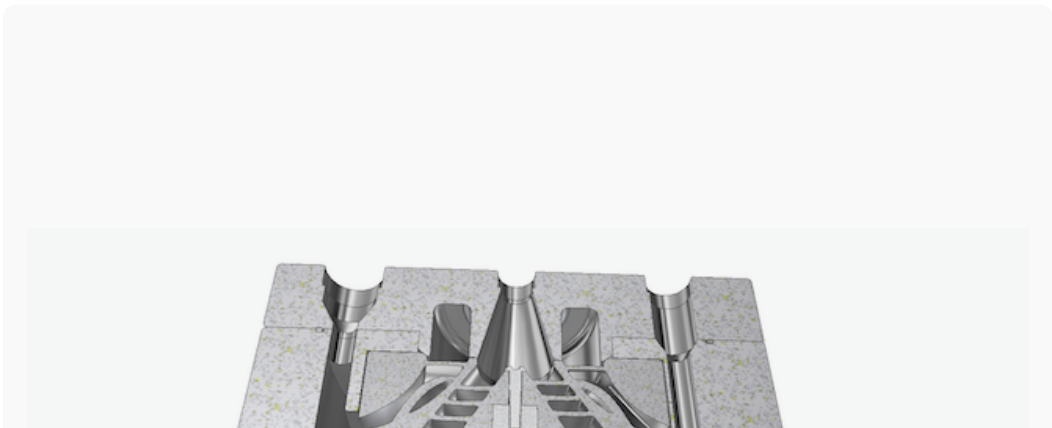


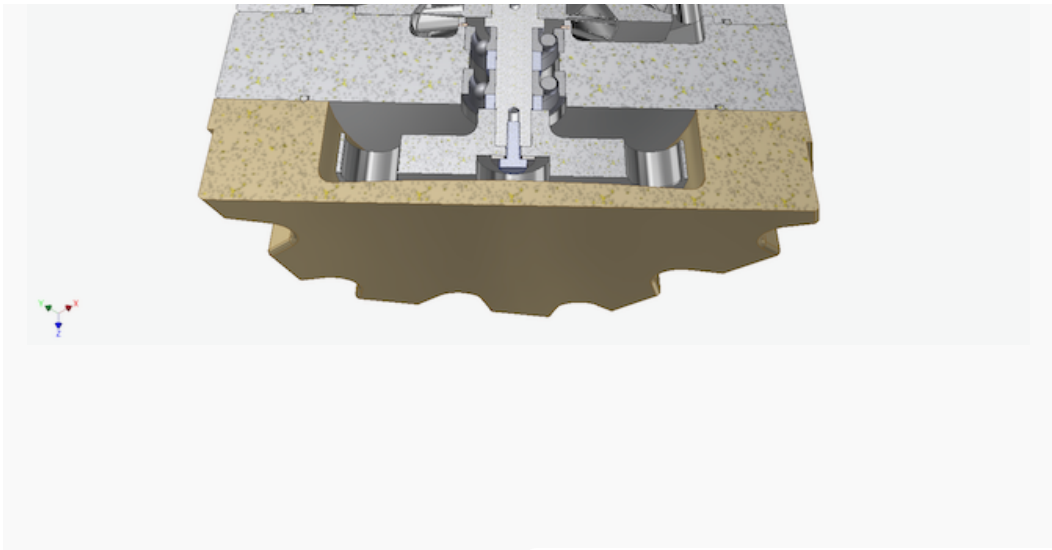
Copyright 6/30/202 Infinity Turbine LLC



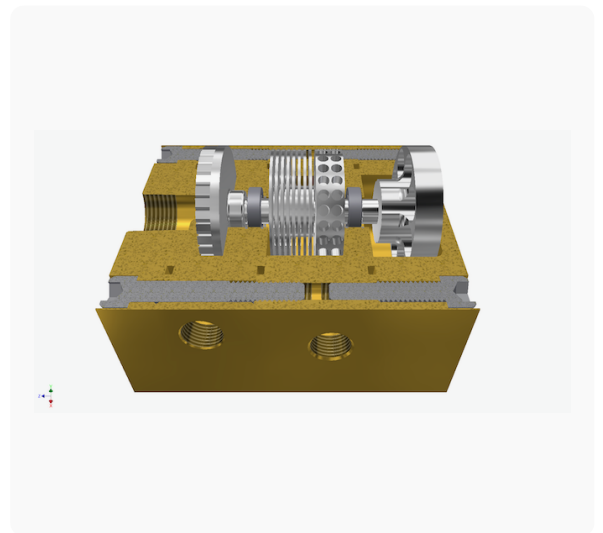


Copyright 6/30/202 Infinity Turbine LLC





Copyright 6/30/202 Infinity Turbine LLC

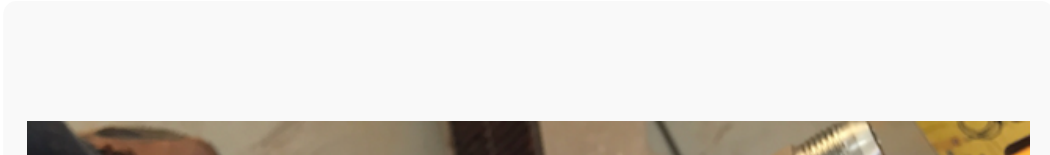


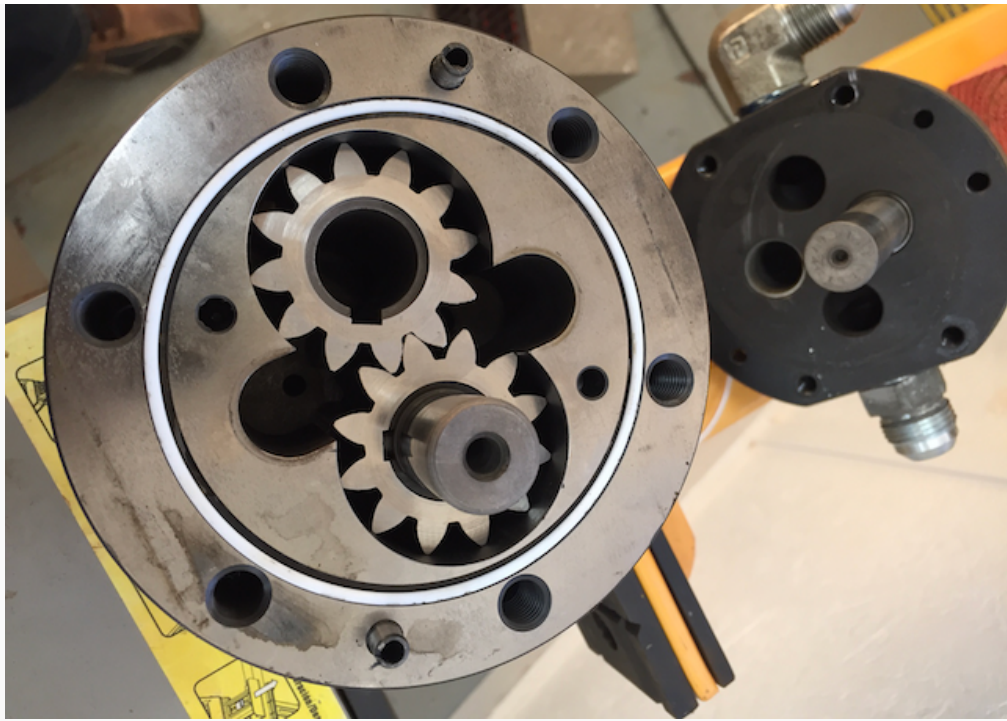
Copyright 6/30/202 Infinity Turbine LLC



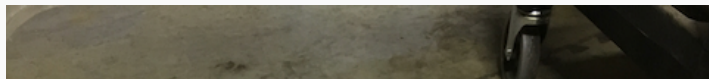


Copyright 6/30/202 Infinity Turbine LLC





Copyright 6/30/202 Infinity Turbine LLC





Copyright 6/30/202 Infinity Turbine LLC